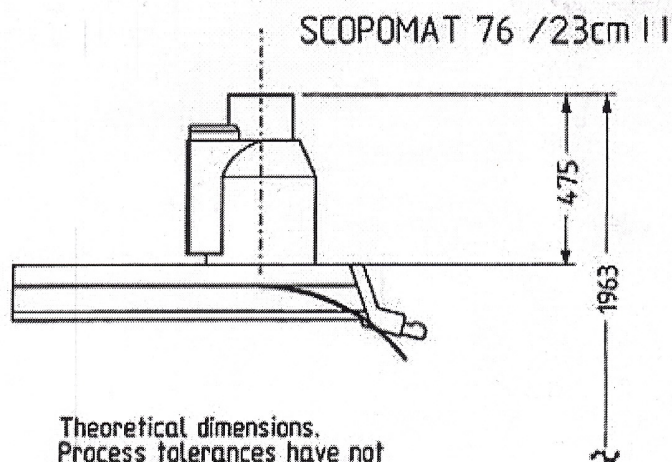
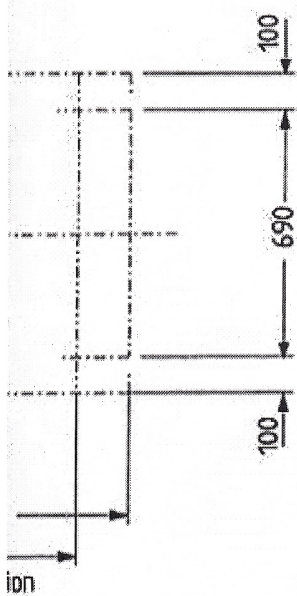
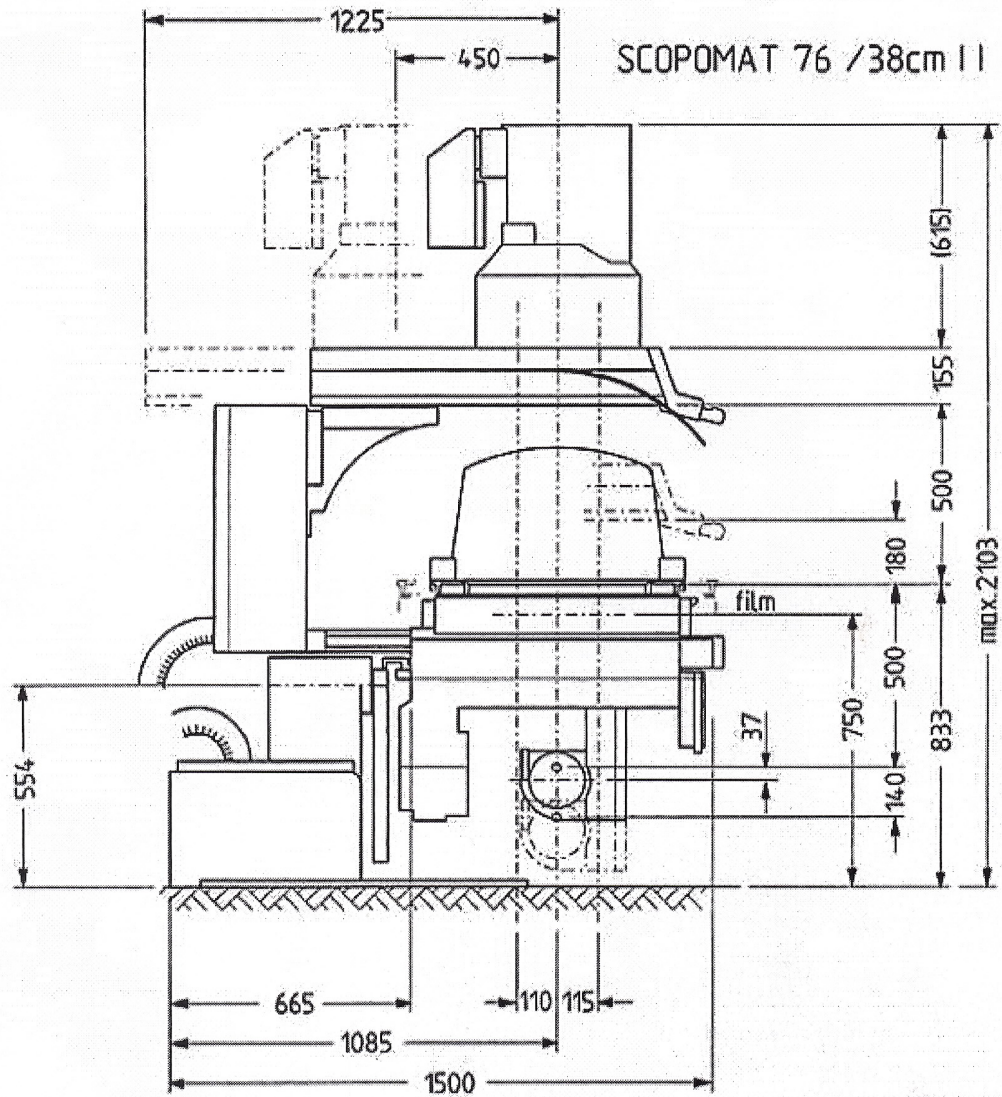


4512 129 40260

(93.0)

Verkleidungsbleche  
Cover panels

PZ-15

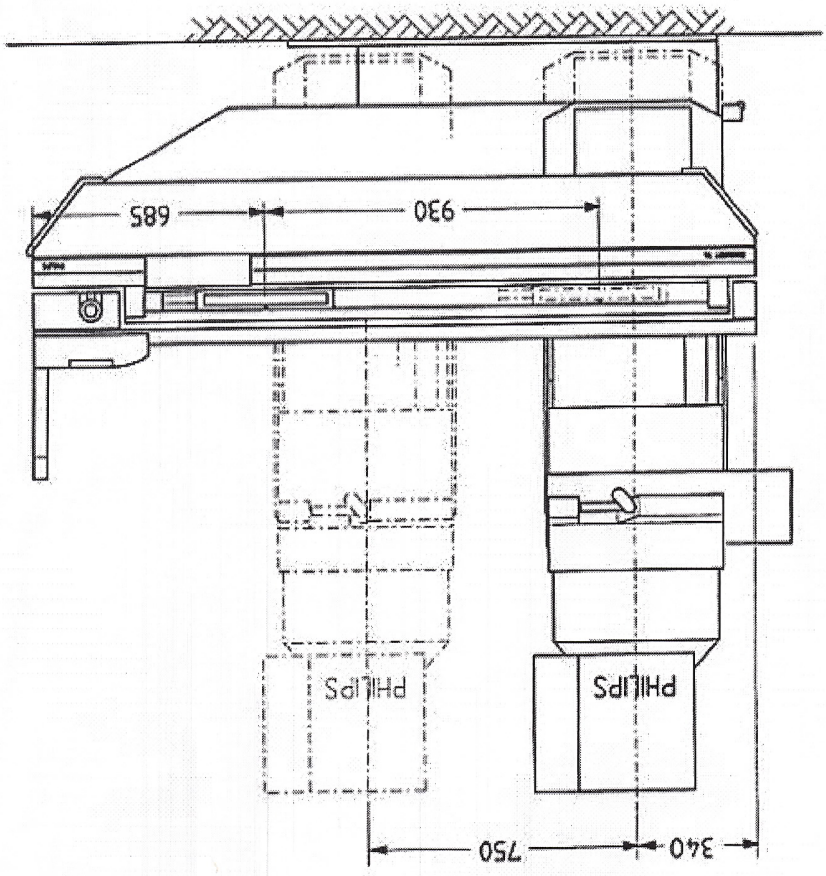
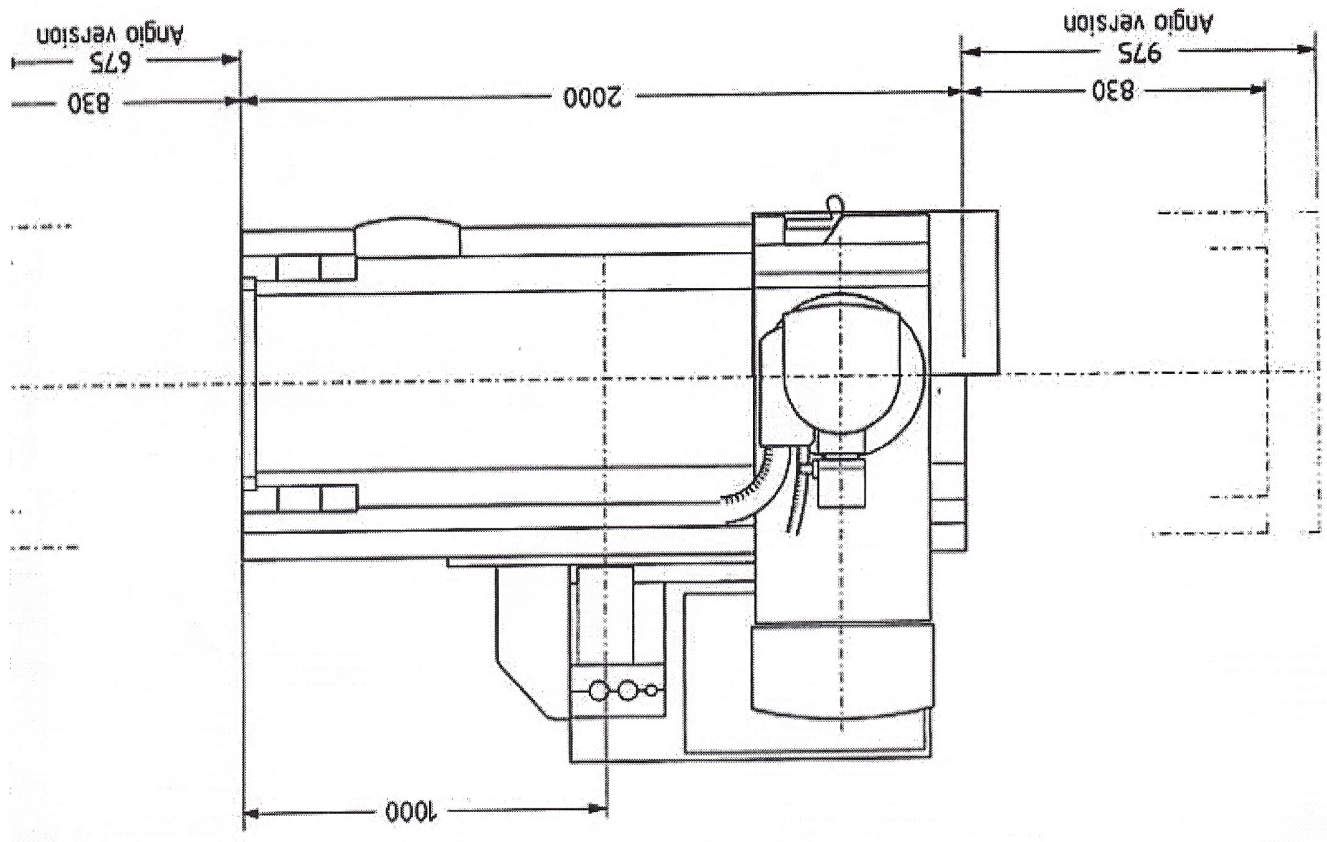


Theoretical dimensions.  
Process tolerances have not  
been taken into account.

measures in mm; scale 1:20

**DIAGNOST 76 plus**  
Mechanical dimensions  
Unit in horizontal position





4512 982 00581

© Philips Medizin Systeme GmbH

(193.0)

