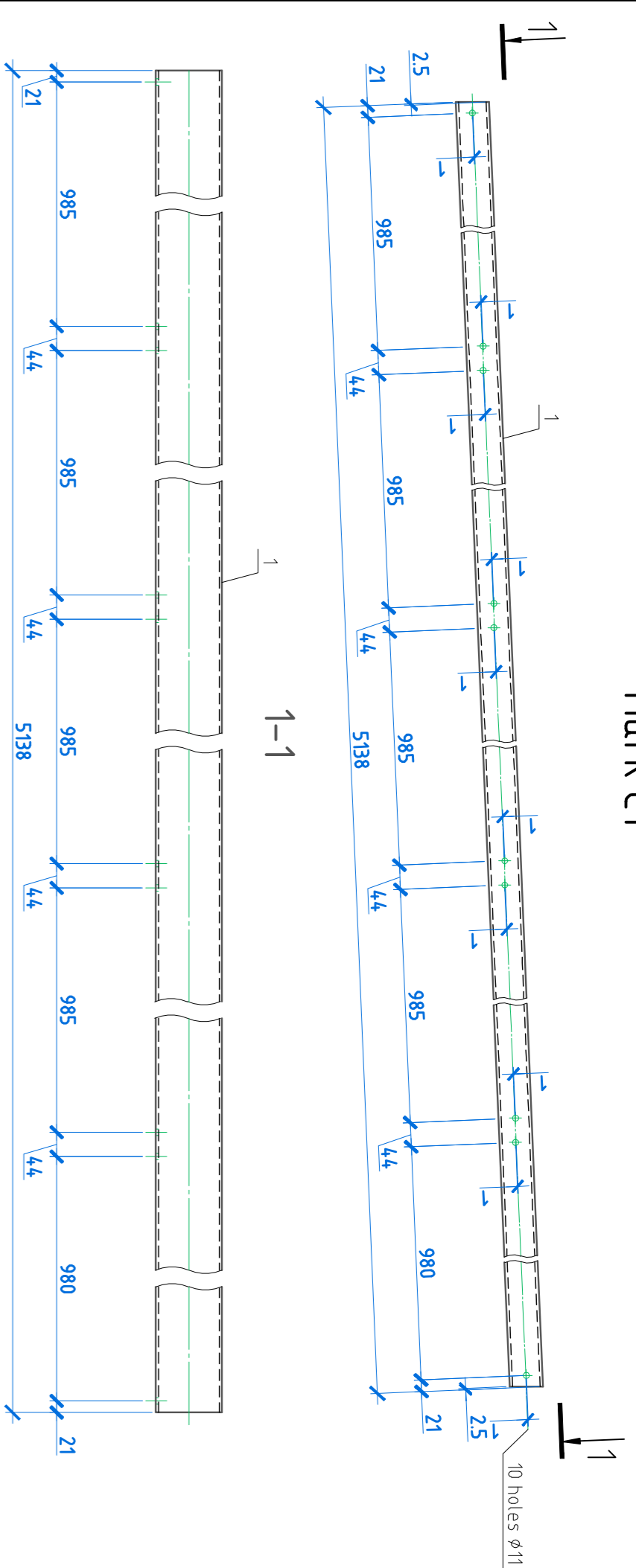
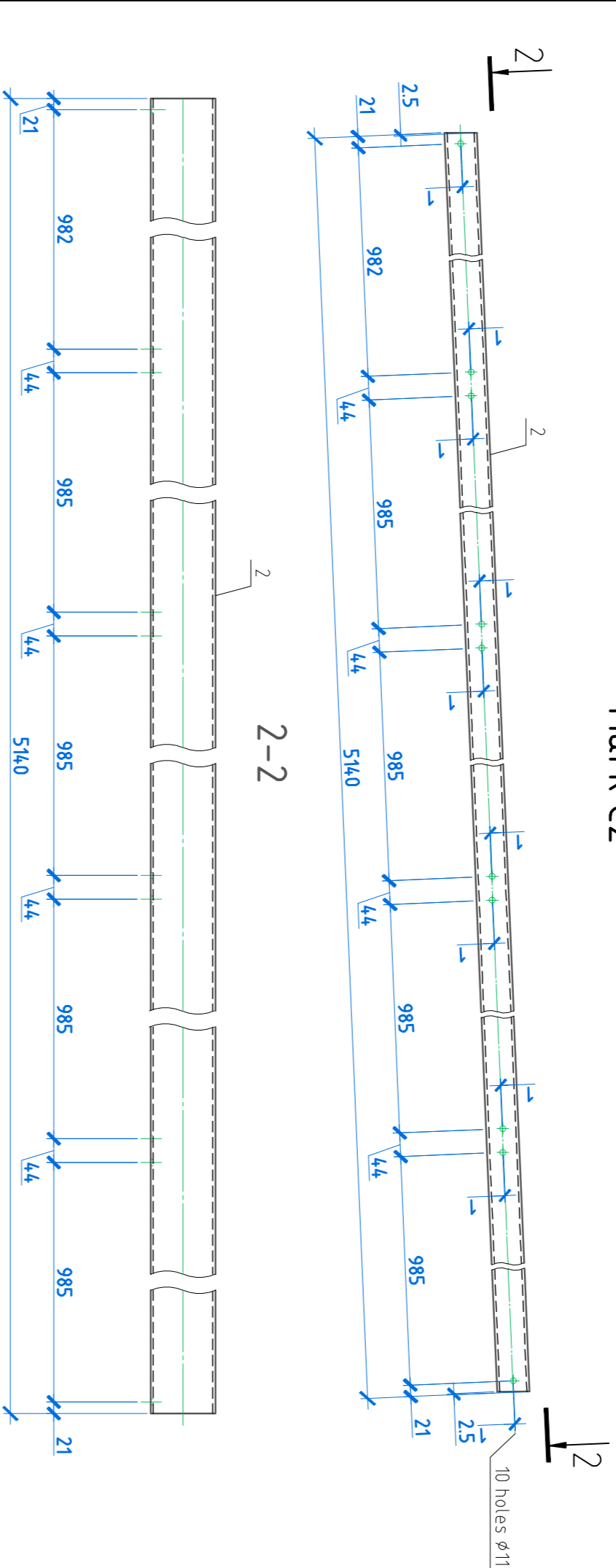


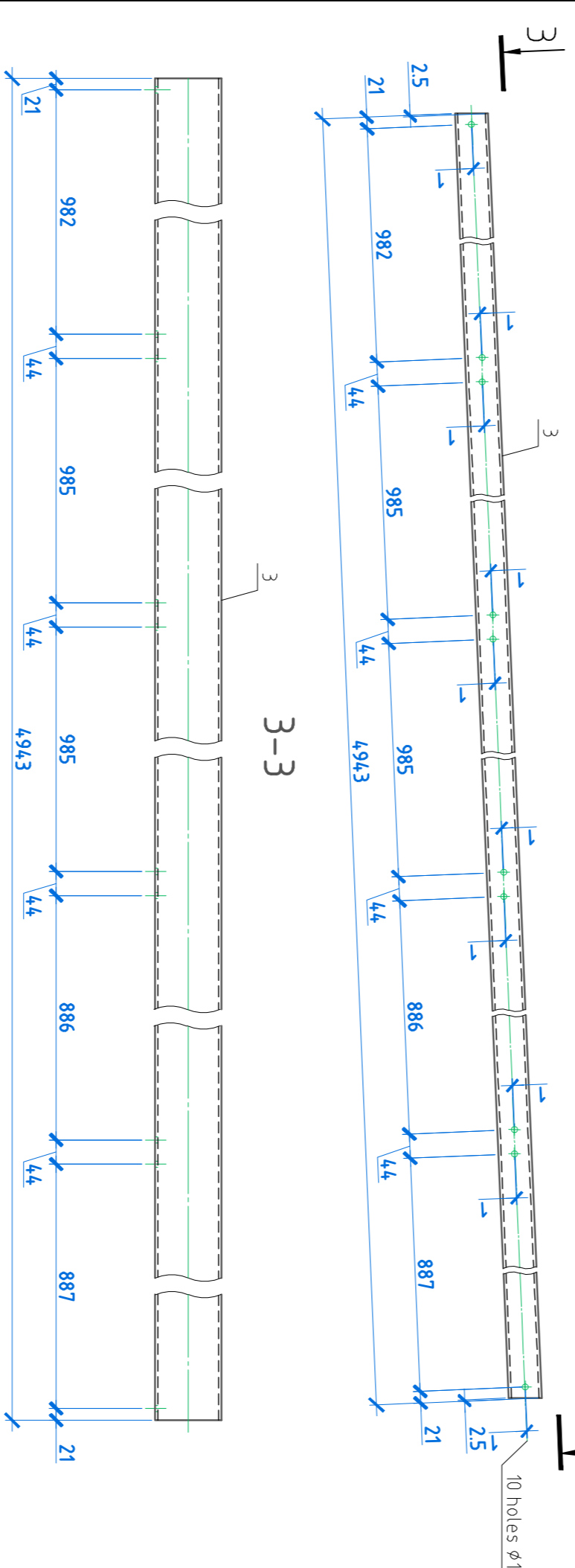
Mark C1



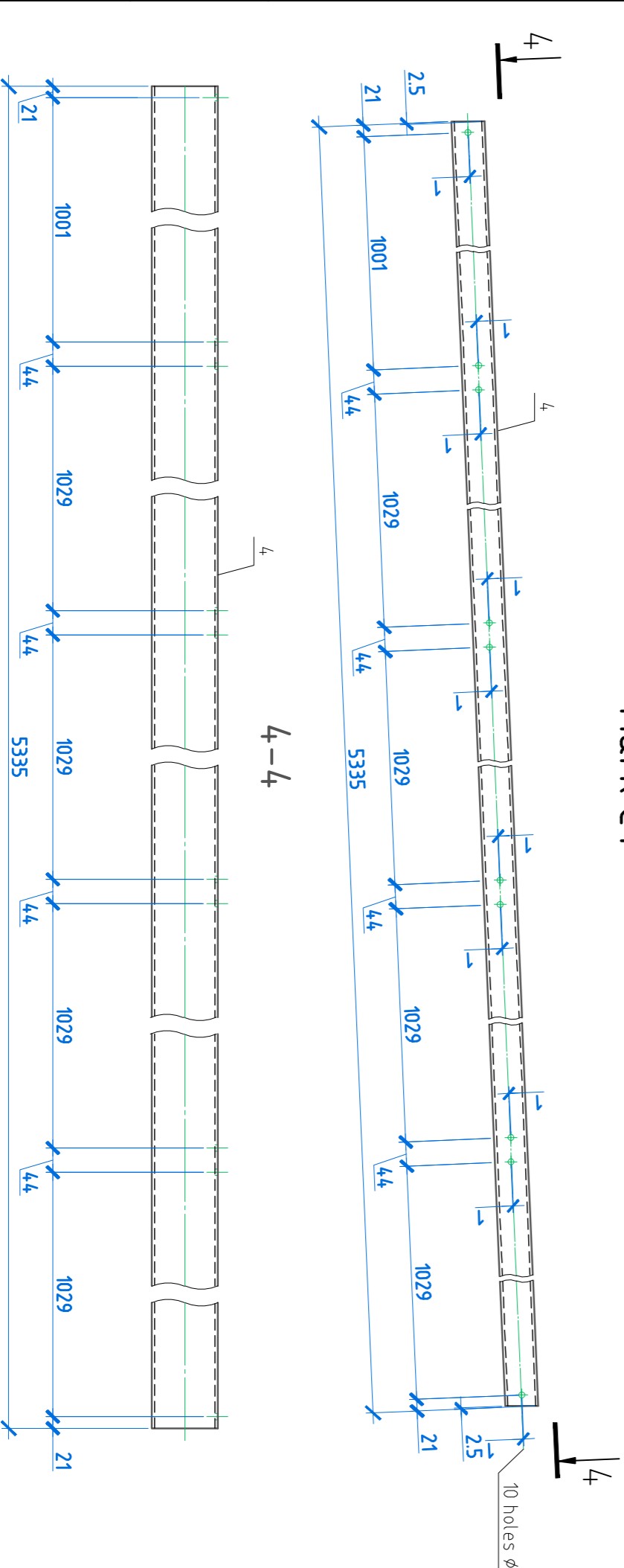
Mark C2



Mark C3



Mark C4



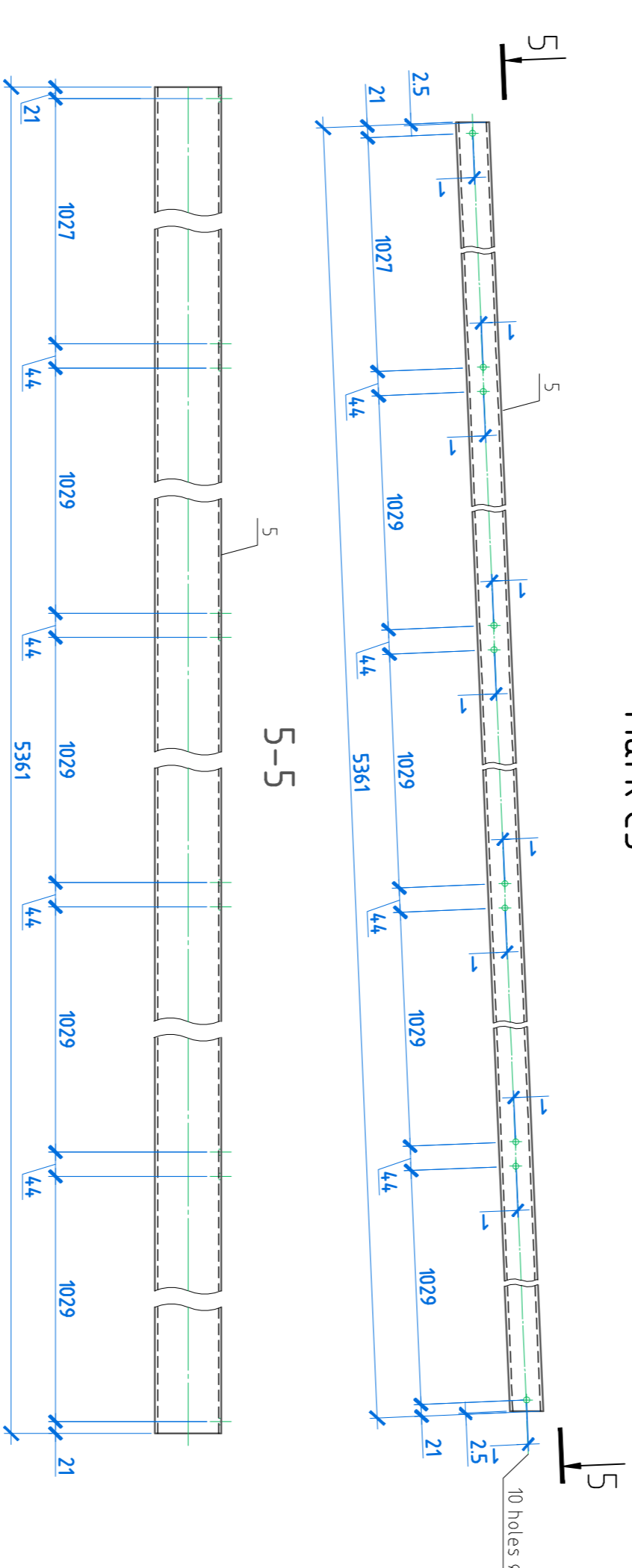
Steel schedule

MARK	Pos 0-1y	Profile	Length mm	Weight, kg		Steel	Notes
				1 pos	all pos		
C1	1	RHS120x60x5	5138	68.2	68.2	S235JR	
C2	2	RHS120x60x5	5140	68.2	68.2	S235JR	
C3	3	RHS120x60x5	4943	65.6	65.6	S235JR	
C4	4	RHS120x60x5	5335	70.8	70.8	S235JR	
C5	5	RHS120x60x5	5361	71.1	71.1	S235JR	
C6	6	RHS120x60x5	5143	68.2	68.2	S235JR	
Total				68.2	68.2		

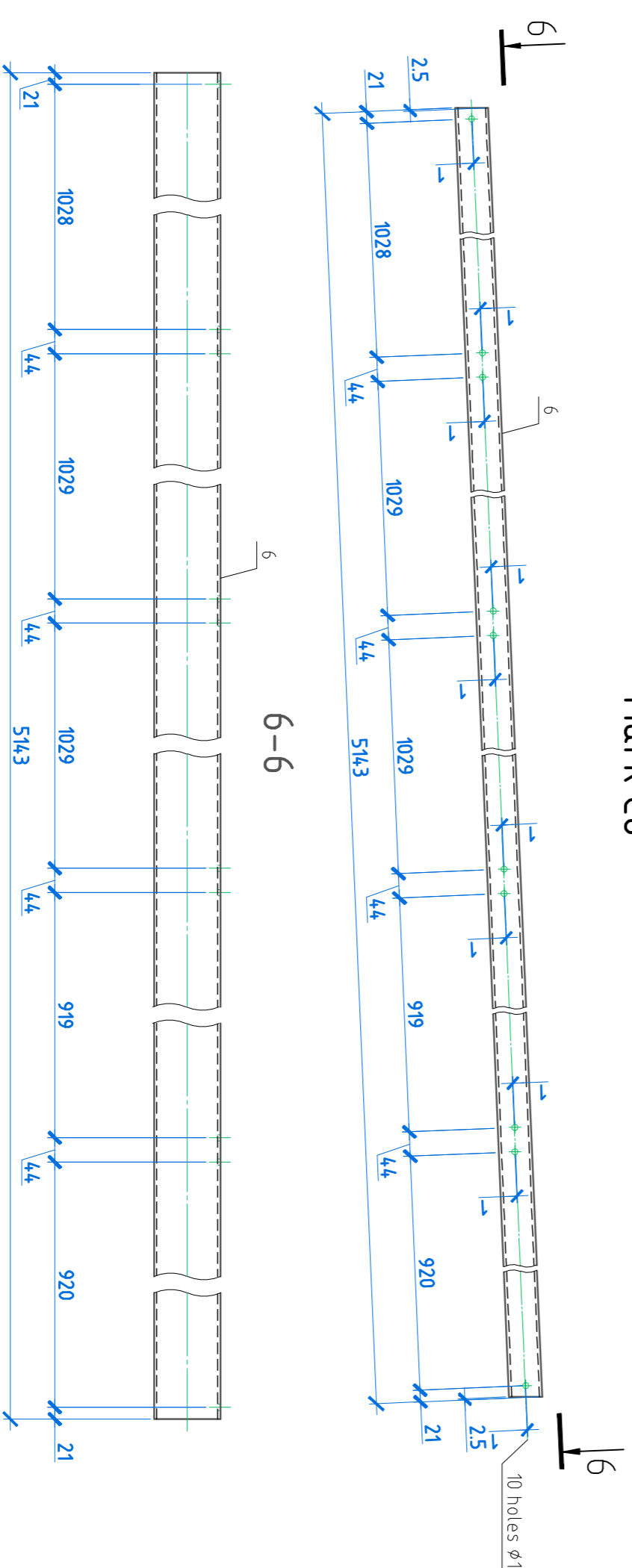
Elements' schedule

MARK	0-1y	Weight, kg	
		1 mark	all
C1	1	68.2	68.2
C2	1	68.2	68.2
C3	1	65.6	65.6
C4	1	70.8	70.8
C5	1	71.1	71.1
C6	1	68.2	68.2
Total		68.2	29.7

Mark C5



Mark C6



Инд. № подл.	Подпись и дата	Взам. инд. №
--------------	----------------	--------------

07/16-KMD		Customer:	Nr. Bjarnt Smedie
			Nr. Blartrvej 87
			6000 Kolding
Quantity/Change	Sheet nr	Sign	Date
Drawn by	Headsay		
Checked by	Kovalsky		
		Project:	New line Copenhagen -
			Ringsled Bro SPOZC
		Drawing:	Marks C1... C6
		Stage	Sheet
			Sheets
		Kovalsky & Partners	